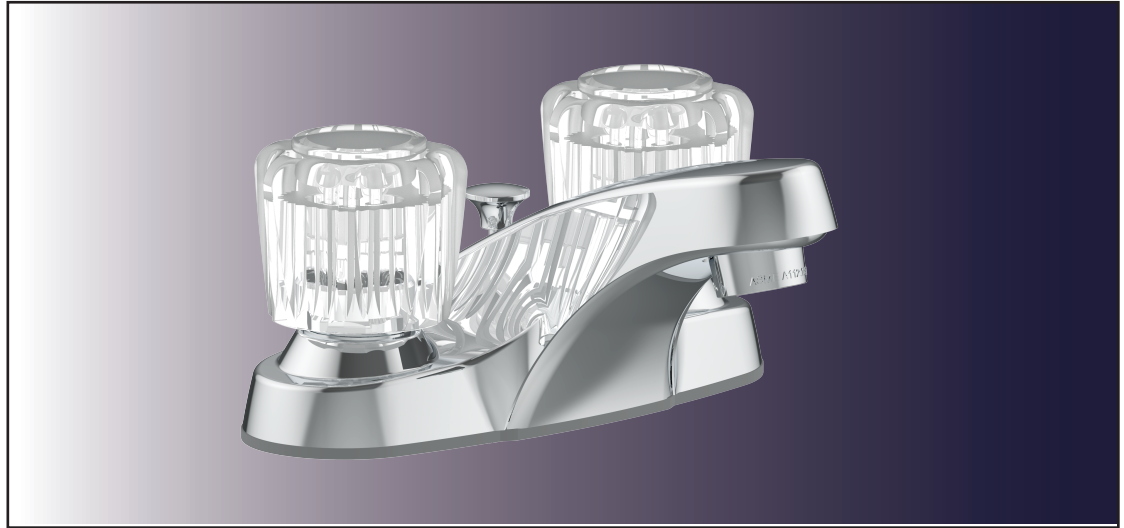


□ **CL-402C**

**MATCO
NORCA™**

Two - Handle Lavatory Faucet



Product Spec Sheet

FEATURES & BENEFITS

- This Product Contains Less Than 0.25% Weighted Average Lead Content On Wetted Surfaces
- Metal Pop-Up
- Ceramic Cartridge
- Quick Install Nuts
- Max Flow Rate 1.2 gpm (4.5L/min) at 60 psi (ASME A112.18.1/A112.18.1)

BL-401C
Chrome Finish

Approvals:

Meets or Exceeds The Following:

- * ANSI/ASME A112.18.1/A112.18.1
- * NSF/ANSI 61 - Sec. 9
- * NSF/ANSI 372
- * IAPMO/cUPC
- * CA AB1953
- * ADA Compliant
- * EPA WaterSense
- * NSF/ANSI/CAN 61:Q ≤ 1



TEL: 800-431-2082

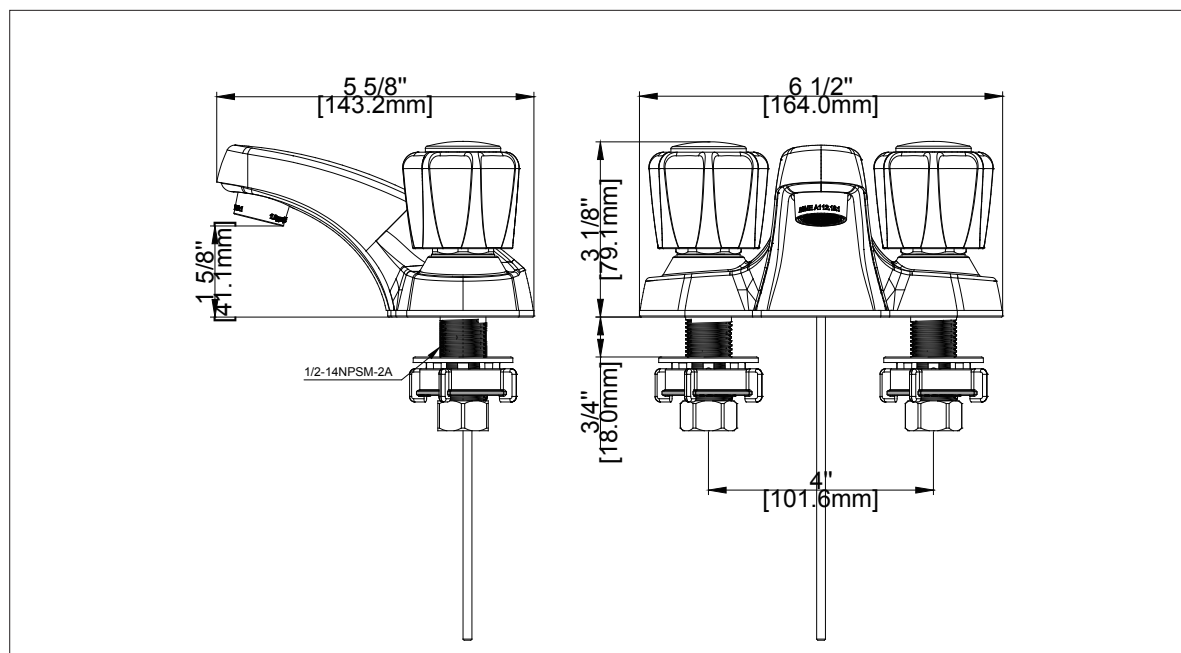
FAX: 800-640-2252

Visit Our Web Site : www.matco-norca.com

Two - Handle Lavatory Faucet

No.	Name	Part No.
1	Index H / Índice H	RP10028
2	Index C / Índice C	RP10029
3	Screw / Tornillo	RP50013
4	Handle / Llave	RP13305
5	Bonnet / Bonete	RP70678
6	Washer / Arandela	RP64254
7	Cartridge / Cartucho	RP22010
8	Seat & Spring / Base y resorte	RP22008
9	Gasket / Junta	RP80751
10	Aerator / Aireado	RP30190*
11	Easy install nut / Tuerca fácil de instalar	RP56095
12	Coupling nut / Tuerca de acoplamiento	RP56002
13	Lift rod & Lift Rod knob / Perilla de la varilla de extensión & Varilla de elevación	RP40006*
14	Pop-up Assembly Less Lift Rod / AEnsamble del Desagüe Automático/Menos la Barra de Alzar	RP40001*

* Specify Finish
* Especificque el Acabado



Product Spec Sheet